

920 CT

Rapiscan[®]
systems
An OSI Systems Company



EU
ECAC C2
APPROVED*

EU
ECAC C3
UNDER DEVELOPMENT

- INDUSTRY LEADING FULL 3D IMAGE RESOLUTION
- BEARING FREE & INDUCTIVE COUPLING CT GANTRY TECHNOLOGY
- FUTURE PROOF TECHNOLOGY
- INTEGRATION CAPABILITY
- ECAC APPROVED*

920CT IS RAPISCAN[®] SYSTEMS' CHECKPOINT SYSTEM FOR AVIATION BAGGAGE SCREENING

WITH THE HIGHEST RESOLUTION IMAGE IT ALLOWS HIGHEST DEGREE OF ON SCREEN INSPECTION AND RESOLUTION (OSIR) REDUCING THE NEED TO OPEN BAGS MANUALLY FOR EXPLOSIVES AND OTHER CONTRABAND

920CT utilizes cutting-edge Dual-Energy technology and sophisticated algorithms to provide the highest level of automatic detection of explosives and the detection of densely shielded areas meeting stringent global standards.

The system architecture is based on proven medical Computed Tomography (CT) technology that resolves today's and tomorrow's challenges facing regulators and airports.

The technology behind 920 CT, allows large electronics and liquids to remain in the bag as a result of the highest level of threat detection capability.

920CT can easily integrate with Rapiscan Systems security checkpoint Tray Return System (TRS[™]). The harmonious combination of 920CT and TRS creates a seamless experience for airports by strengthening security, increasing passenger throughput and staff efficiency. In conjunction with an optimal layout it provides the best passenger experience, therefore keeping the checkpoint flowing quickly and efficiently. It is a proven design for maximum passenger throughput with the lowest number of rejected passenger bags.

FEATURES & BENEFITS

INDUSTRY LEADING FULL 3D IMAGE RESOLUTION

920CT's intuitive GUI design provides the highest On Screen Inspection and Resolution (OSIR) for image analysis of both automated alarms as well as other prohibited items

FULL INTEGRATION

Integrates with leading automated tray return and baggage handling systems including Rapiscan® System TRS™

DENSITY THREAT ALARM

Alerts operators upon detection of highly dense objects to identify items that otherwise may be missed by an operator

INTUITIVE TOUCHSCREEN WORKSTATION

Proven intuitive interface for ease of use giving speed, accuracy and improved security

CUTTING-EDGE DUAL-ENERGY TECHNOLOGY

Provides unsurpassed automatic detection of explosives

COMPACT FOOT PRINT, AESTHETIC DESIGN

Creates a passenger-pleasing airport environment

3D THREAT IMAGE PROJECTION (TIP)

Based on the latest regulatory requirements

PHYSICAL SPECIFICATIONS

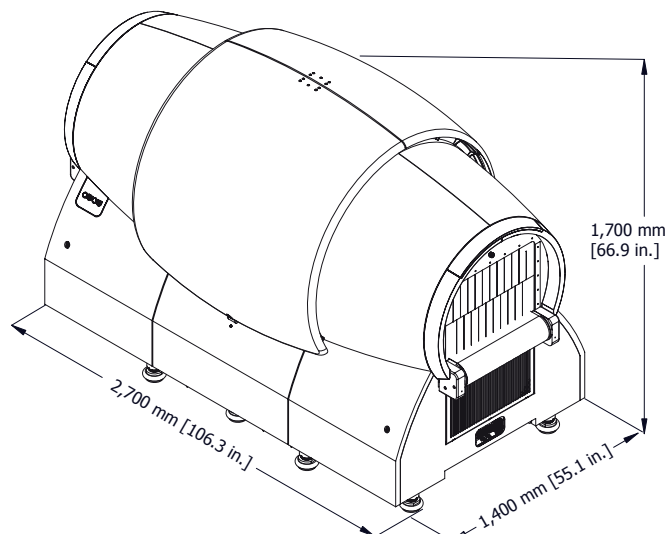
Dimensions:	Length: 2,700 mm (106.3 in.)
	Width: 1,400 mm (55.1 in.)
	Height: 1,700 mm (66.9 in.)
Tunnel Size:	Width: 620 mm (24.4 in.)
	Height: 420 mm (16.5 in.)
Conveyor Speed:	0.15 m/sec
Conveyor Load:	135 Kg (297.6 lbs)
Conveyor Height:	803 mm (31.6 in.)
Approx. Weight:	1950 Kg (4,299 lbs)
Power Requirement:	208/230VAC, 30 Amps
Power Consumption:	3900 Watts

X-RAY GENERATOR

Anode Voltage:	160kV
Tube Current:	5 mA

ENVIRONMENT

Storage Temperature:	-7°C to 49°C
Operating Temperature:	0°C to 40°C
Relative Humidity:	0 to 90% non-condensing
Sound pressure:	<70dBA



www.rapiscansystems.com / sales@rapiscansystems.com

Rapiscan® Systems is AS9100C:2009 and ISO14001:20004 + Cor. 1:2009 Certified

* Pending ECAC Ratification

Rapiscan® Systems' cabinet X-ray products comply with all applicable U.S. FDA and equivalent international regulatory agency requirements, contained in the cabinet X-ray radiation safety performance standard [21 CFR 1020.40] and the general performance standard [21 CFR Part 1010] as well as IEC standard 61010-2-091. Rapiscan® baggage and parcel inspection systems radiation emission leakages are well below the required regulatory limits with less than 1 µSv/hr at 10 cm from all surfaces of cabinet X-ray.

With continual development of our products Rapiscan® Systems reserves the right to amend specifications without notice. Product pictures are for general reference. Please note that due to US laws and regulations, not all Rapiscan® products are available for sale in all countries without restriction. Please contact your Rapiscan® Systems sales representative for more information. Please contact your Rapiscan Systems sales representative for more information.